

Data Sheet - Motorcycle Display Turntables

Motorcycle Display Turntables

Introducing movement from Movetech UK into the showroom will bring the excitement of an exhibition to the sales floor, helping to attract customers and increasing sales.

Movetech UK offer a wide range of turntables suitable for rotating motorcycles. The range includes both floor-standing and flush-fitted units suitable for carrying just one motorcycle or many motorcycles for larger displays.



Cyclone Bullet

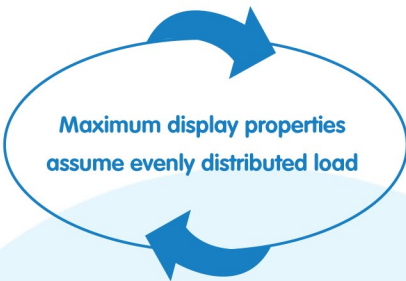
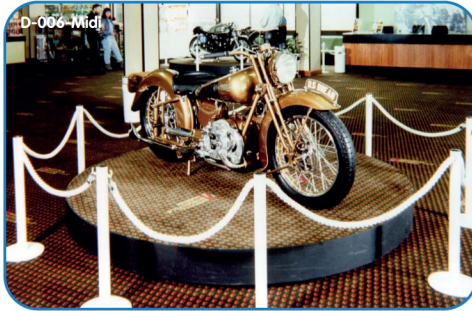
The Cyclone Bullet offers greater capacity and versatility than the Surf and is more suitable for larger motorcycles.

- > **Dimensions:** 2000mm x 1000mm
- > **Height:** 190mm
- > **Packed Dimensions:** 1000mm x 1000mm x 40mm
- > **Packed Weight:** 70kg
- > **Capacity:** 300kg
- > **Power Consumption:** 40 Watts
- > **Power Requirements:** 220/240v AC 50 Hz Ph 1 (110v option)
- > **Mains Lead:** 4m 3 core flex
- > **Finish/Steelwork:** Black hammer
- > **Finish/Deck:** Blue MDF
- > **Speed:** Variable 0.2 to 1 RPM
- > **Fuse Rating:** 3 amp
- > **Accessories:** Loading ramp



Large Carousel Range

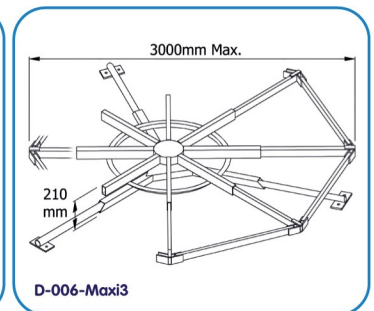
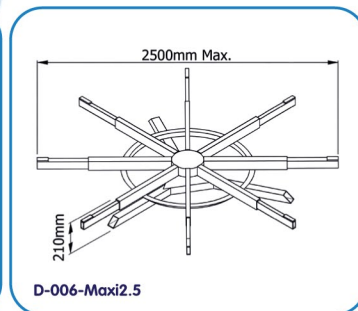
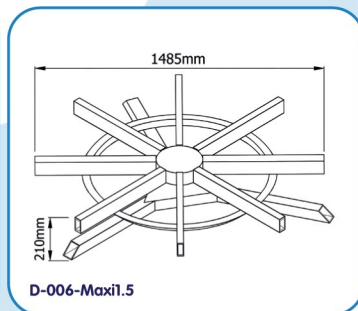
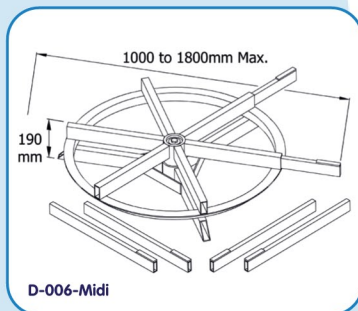
Midi and Maxi Carousel turntables allow you to create your own unique full circular platform motorcycle display.



Specification:

- > Variable speed between approx 0.6 and 1.1 RPM
- > Mains powered units featuring 5 amp slip rings as standard
- > Clockwise or anti-clockwise rotation available
- > Electrics: 220/240v AC, 50HZ, PH1, 10 watts (exc slip rings) 110V option available
- > Decks not provided as standard. (Unfinished 19mm or 25mm Class 1 flame retardant plywood can be quoted for).

Product Code	Product Description	Unit Dimensions			Max Display Properties		
		Diameter (m)	Height (mm)	Weight (kg)	Diameter (mm)	Height (mm)	Capacity (kg)
D-006-Midi	Midi Carousel 1m display turntable with ext arms to 1.8m	1.8	195	42	1.8	2.44	500
D-006-Maxi1.5	Maxi Carousel 1.5m display turntable	1.5	200	73	1.5	2.44	700
D-006-Maxi2.5	Maxi Carousel 1.5m display turntable with ext kit to 2.5m	2.5	200	100	2.5	2.44	700
D-006-Maxi3	Maxi Carousel 1.5m display turntable with ext kit to 3m	3	200	110	3	2.44	700



The MAT

Movetech UK also offers the MAT motorcycle turner – the ideal accessory for your shop or showroom. The MAT can be used to turn almost any motorcycle with a centre stand* on its own axis simply and quickly, resulting in fewer manoeuvres on the driveway or in the garage and reducing accidental damage to the bike. It's robust, strong and durable, with good resistance to chemicals; it's also weather-proof, genuinely low maintenance and importantly totally portable.

**Recommended maximum load 300kg*

Two models are available:

the MAT350, at 35cm diameter, and the MAT450 at 45cm diameter.



Revolving Stages

While Midi and Maxi Carousel display turntables offer cost-effective product display facilities, the revolving stage range allows potential customers to inspect the product on and off the rotating surface. Revolving stages can either be floor-mounted or flush-fitted into a plinth or pre-prepared floor.

Rental Solutions

Movetech UK offers a reliable, cost effective worldwide rental service for many of its movement solutions. This is particularly suitable where there is a short term requirement. This comprehensive rental stock includes units from all the ranges on this data sheet.

If the diameters and capacities of our rental units do not quite meet your requirements, or you would like options such as motion control, a static centre, oscillation, timed or positional hesitation, we can tailor units to suit your needs. We also offer a complete worldwide delivery, installation and removal service.

Please call our Rental Hotline to reserve a bike turntable now on 01204 537 682.

